

SALEM OTTOMAN

7730-M27

The Jacobean stretcher base is certainly the defining feature of the Salem Ottoman, an ideal companion to the Salem Chair 7730-C30. The unique legs and stretchers have been carefully turned and crafted to add a note of English tradition to this ottoman. Customize the base with your choice of wood stains for authenticity.

dimensions

27" wide x 21" deep x 19.5" high

standard features

Semi-attached cushion top
Self-welting
Jacobean legs and stretchers

COM yardage

SKU	Plain 54" Fabric	2-14" Repeat	15-27" Repeat	28-36" Repeat
7730-M27	3.5	4.5	5	5.5

For larger repeats, please call for yardage requirements.

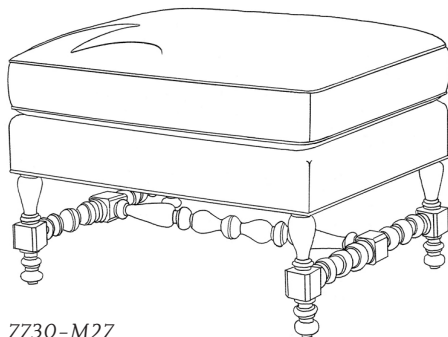
Please note: COM yardage requirements provided by Thibaut are estimates. Fabric and frame layouts can vary which may require additional yardage.

finish options

Available in standard or premium wood finishes or Benjamin Moore paint colors

companion pieces

Salem Chair 7730-C30



7730-M27

WARWICK OTTOMAN

7764-M26

The streamlined Warwick Ottoman knows all the right angles and just how to play them in order to get close to a chair. This ottoman frame is perfect for detailing with nail head trim around the base. The tapered legs may be finished with wood stains or painted colors to contrast with the fabric selected.

dimensions

26" wide x 21" deep x 19" high

standard features

Semi-attached cushion top
All over self welt
Straight tapered legs

COM yardage

SKU	Plain 54" Fabric	2-14" Repeat	15-27" Repeat	28-36" Repeat
7746-M26	3	4	4.5	4.5

For larger repeats, please call for yardage requirements.

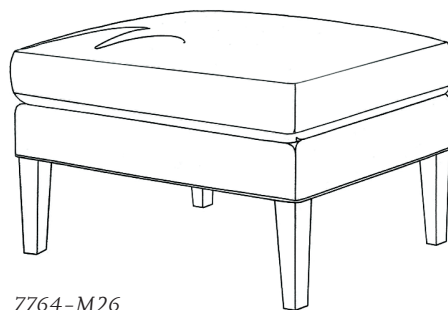
Please note: COM yardage requirements provided by Thibaut are estimates. Fabric and frame layouts can vary which may require additional yardage.

finish options

Available in standard or premium wood finishes or Benjamin Moore paint colors

companion pieces

Emerson Chair 7798-C33



7764-M26