

## ALDEN OTTOMAN

7722-M31

A mid-scale size, the Alden Ottoman is a charming companion to our occasional chairs and sofas. The top cushion is semi-attached to insure it remains in place. Casters make it easy to move and roll this ottoman to where it will serve you best.

### dimensions

31" wide x 21" deep x 18.5" high

### standard features

Semi-attached cushion top  
Self-welting  
Dressmaker skirt  
Rolling casters

### COM yardage

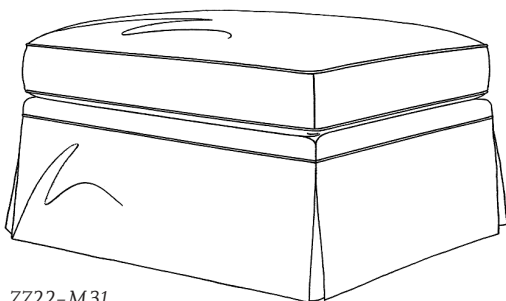
SKU	Plain 54" Fabric	2-14" Repeat	15-27" Repeat	28-36" Repeat
7722-M31	5	6	7	8

For larger repeats, please call for yardage requirements.

*Please note: COM yardage requirements provided by Thibaut are estimates. Fabric and frame layouts can vary which may require additional yardage.*

### companion pieces

Alden Chair 7722-C34



7722-M31

## NEWBURY OTTOMAN

7758-M27

The Newbury Ottoman is a fine companion to a traditional chair or sofa with turned legs—or also great with a skirted chair to provide contrast and leg detail. This ottoman upholsters beautifully in a jacquard pattern, as the design motif will be framed on the surface. The Newbury also looks handsome with nail head trim at the base.

### dimensions

27" wide x 21" deep x 18.5" high

### standard features

Semi-attached cushion top  
Self-welting  
Turned legs with casters and ferrules

### COM yardage

SKU	Plain 54" Fabric	2-14" Repeat	15-27" Repeat	28-36" Repeat
7758-M27	3.5	4.5	5	5.5

For larger repeats, please call for yardage requirements.

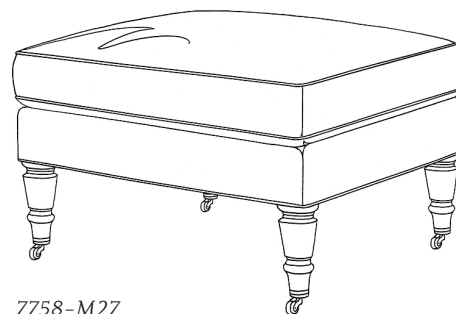
*Please note: COM yardage requirements provided by Thibaut are estimates. Fabric and frame layouts can vary which may require additional yardage.*

### finish options

Available in standard or premium wood finishes or Benjamin Moore paint colors  
Casters available in brass finish only

### companion pieces

Cambridge Chair 7724-C33



7758-M27